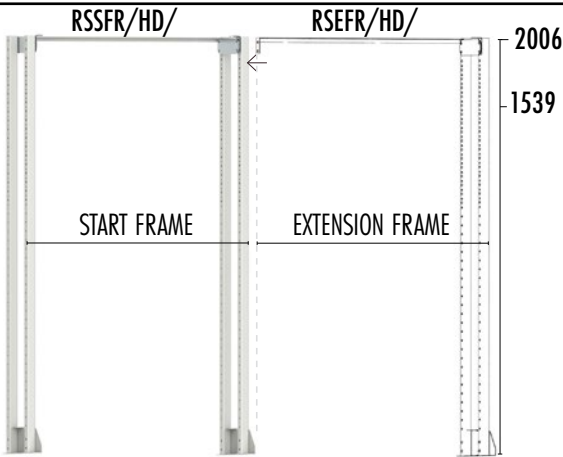




**⚠ ATTENTION: PLEASE READ ALL INSTRUCTIONS BEFORE ASSEMBLING/INSTALLING THIS PRODUCT**



**⚠ WARNING**

ANY ALTERATIONS, UNINTENDED OR UNAPPROVED WORK/USE OF THIS PRODUCT COULD CREATE A HAZARDOUS CONDITION THAT CAN CAUSE DEATH, PERSONAL INJURY OR PROPERTY DAMAGE.

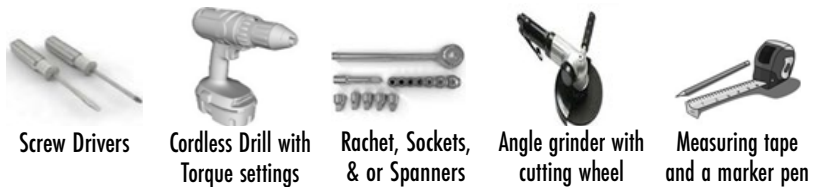
**BEFORE YOU BEGIN:**

- THE AVERAGE EXPECTED INSTALL TIME FOR THIS PRODUCT IS 20 MINUTES PER SHELVING BAY
- READ ALL THE INSTRUCTIONS BEFORE ASSEMBLY & INSTALLATION
- ALWAYS WEAR APPROPRIATE PERSONAL PROTECTIVE EQUIPMENT, ESPECIALLY EYEWEAR WHEN INSTALLING OUR PRODUCTS
- CONFIRM YOU HAVE ALL THE NECESSARY PARTS, TOOLS, EQUIPMENT, & TIME REQUIRED BEFORE COMMENCING

**PART No. RSSFR/HD/ accepts the following products**

- All "8-Series" & "12-Series" shelves (sold separately)
- All "8-Series" & "12-Series" workbenches (sold separately)
- All "8-Series" & "12-Series" lockable boxes (sold separately)

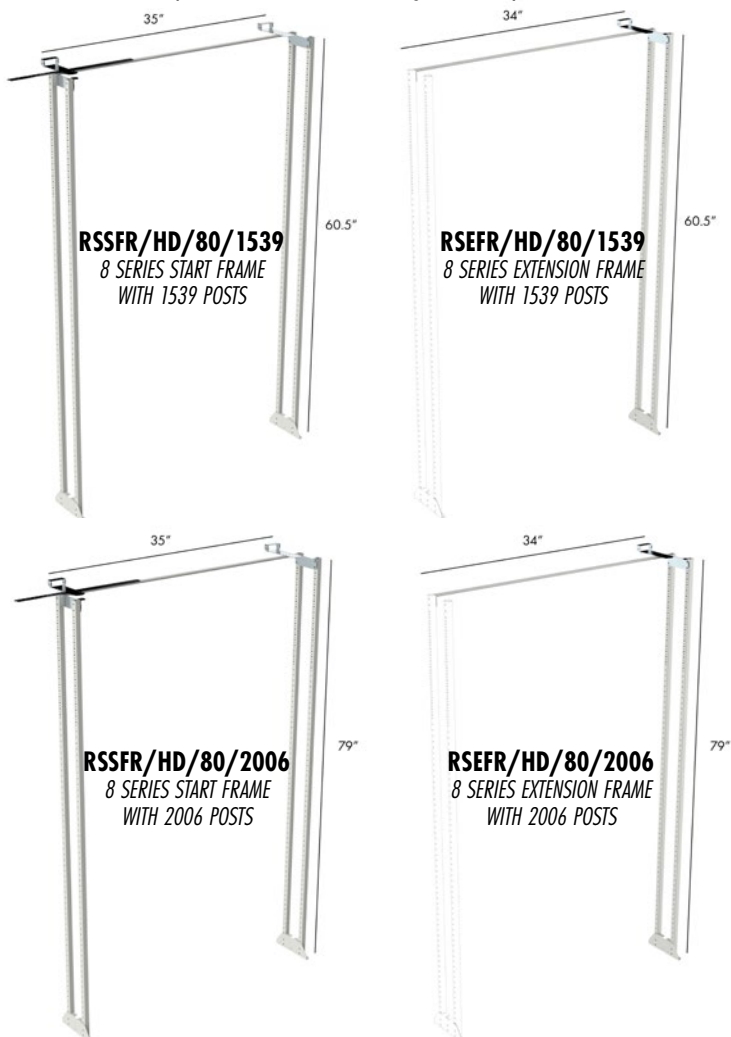
**TOOLS REQUIRED:**



**⚠ ATTENTION**

IMAGES USED IN THIS GUIDE MAY VARY SLIGHTLY DEPENDING ON YOUR MODEL

There are 4 available options for the 8-SERIES shelving frames, they are as follows:



There are 4 available options for the 12-SERIES shelving frames, they are as follows:





**⚠ ATTENTION: PLEASE READ ALL INSTRUCTIONS BEFORE ASSEMBLING/INSTALLING THIS PRODUCT**

**⚠ WARNING**

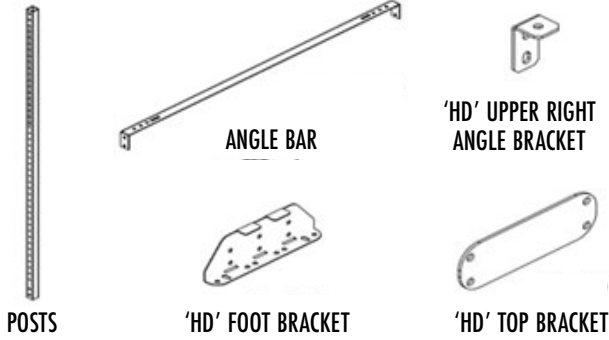
ANY ALTERATIONS, UNINTENDED OR UNAPPROVED WORK/USE OF THIS PRODUCT COULD CREATE A HAZARDOUS CONDITION THAT CAN CAUSE DEATH, PERSONAL INJURY OR PROPERTY DAMAGE.

**⚠ ATTENTION**

IMAGES USED IN THIS GUIDE MAY VARY SLIGHTLY DEPENDING ON YOUR MODEL

**START FRAME COMPONENTS**

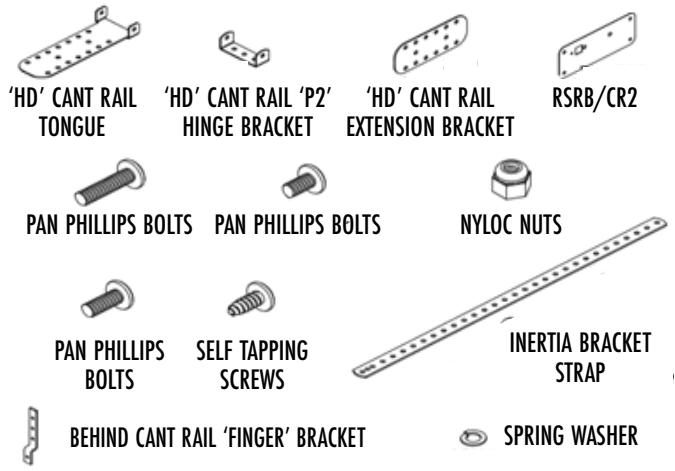
Part number matching RSSFR/HD/



START FRAME KIT COMPONENTS	Quantity for RSSFR/HD/80 (35.04" wide)	Quantity for RSSFR/HD/120 (51.57" wide)
60.59" high posts (1539mm posts)	4	4
78.97" high posts (2006mm posts)	4	4
12 Series Width (Angle) Bar	0	1
8 Series Width (Angle) Bar	1	0
'HD' Foot Bracket	2	2
'HD' Top Bracket	2	2
'HD' Upper Right Angle Bracket	2	2



START FRAME KIT FASTENERS	Quantity
Self Tapping Screws	4
Pan Phillips Bolts	16
Nyloc Nuts	16
Screws (used to secure shelves & accessories)	48
Plastic Plugs (used to assist in securing/aligning shelves)	16



UNIVERSAL CANT RAIL ANCHOR KIT FASTENERS	Quantity
'HD' Cant Rail (inner roof) tongue	2
'HD' Cant Rail (inner roof) 'P2' hinge bracket	2
'HD' Cant Rail (inner roof) extension bracket	2
Behind Cant Rail (inner roof) finger bracket	2
Inertia Bracket Strap	1
RSRB/CR2 Bracket	2
Pan Phillips Bolts (1/4" x 1/2" long for hinge only)	4
Nyloc Nuts	17
Spring Washer	4
Pan Phillips Bolts (1/4" x 5/8" long)	17
Self Tapping Screws (#12 - 1/4" x 1/2" long)	8
Self Tapping Screws (#14 - 1/4" x 5/8" long, for inertia strap only)	2
Pan Phillips Bolts (1/4" x 1" long)	2





**⚠ ATTENTION: PLEASE READ ALL INSTRUCTIONS BEFORE ASSEMBLING/INSTALLING THIS PRODUCT**

**⚠ WARNING**

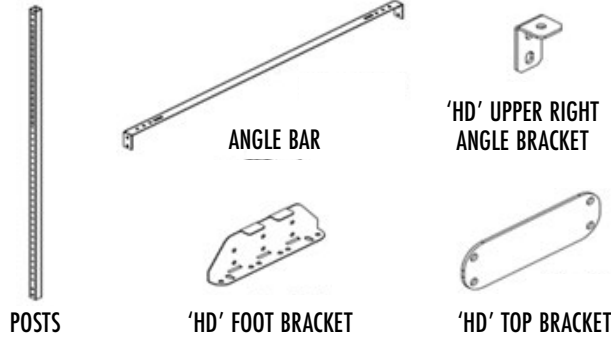
ANY ALTERATIONS, UNINTENDED OR UNAPPROVED WORK/USE OF THIS PRODUCT COULD CREATE A HAZARDOUS CONDITION THAT CAN CAUSE DEATH, PERSONAL INJURY OR PROPERTY DAMAGE.

**⚠ ATTENTION**

IMAGES USED IN THIS GUIDE MAY VARY SLIGHTLY DEPENDING ON YOUR MODEL

**EXTENSION FRAME COMPONENTS**

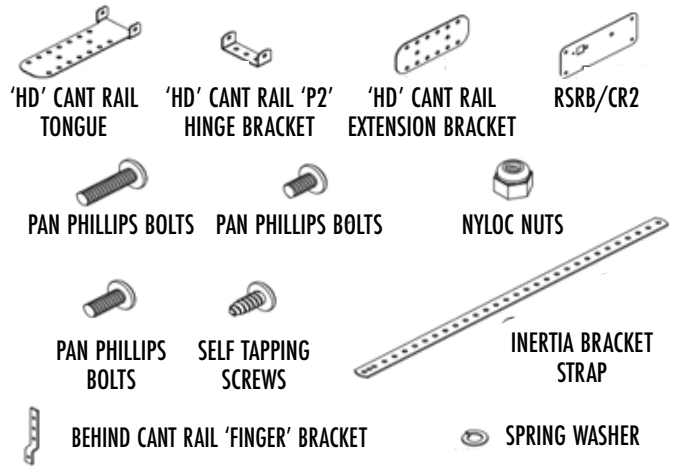
Part number matching RSEFR/HD/



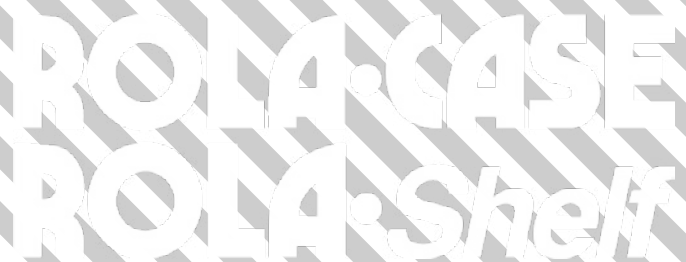
START FRAME KIT COMPONENTS	Quantity for RSSFR/HD/80 (34" wide)	Quantity for RSSFR/HD/120 (50.5" wide)
60.59" high posts (1539mm posts)	2	2
78.97" high posts (2006mm posts)	2	2
12 Series Width (Angle) Bar	0	1
8 Series Width (Angle) Bar	1	0
'HD' Foot Bracket	1	1
'HD' Top Bracket	1	1
'HD' Upper Right Angle Bracket	1	1



START FRAME KIT FASTENERS	Quantity
Self Tapping Screws	2
Pan Phillips Bolts	8
Nyloc Nuts	8
Screws (used to secure shelves & accessories)	48
Plastic Plugs (used to assist in securing/aligning shelves)	16



UNIVERSAL CANT RAIL ANCHOR KIT FASTENERS	Quantity
'HD' Cant Rail (inner roof) tongue	1
'HD' Cant Rail (inner roof) 'P2' hinge bracket	1
'HD' Cant Rail (inner roof) extension bracket	1
Behind Cant Rail (inner roof) finger bracket	1
RSRB/CR2 Bracket	1
Pan Phillips Bolts (1/4" x 1/2" long for hinge only)	2
Nyloc Nuts	8
Spring Washer	2
Pan Phillips Bolts (1/4" x 5/8" long)	8
Self Tapping Screws (#12 - 1/4" x 1/2" long)	4





**⚠ ATTENTION: PLEASE READ ALL INSTRUCTIONS BEFORE ASSEMBLING/INSTALLING THIS PRODUCT**

**⚠ WARNING**

ANY ALTERATIONS, UNINTENDED OR UNAPPROVED WORK/USE OF THIS PRODUCT COULD CREATE A HAZARDOUS CONDITION THAT CAN CAUSE DEATH, PERSONAL INJURY OR PROPERTY DAMAGE.

**FRAMES INSTRUCTIONS**

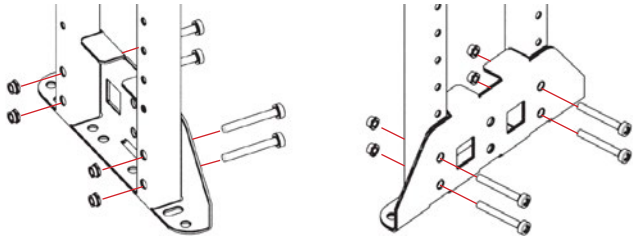
**A** Begin this assembly process by first determining the internal height within your commercial vehicle where you intend to secure our shelving bays. Note that the internal height is not usually the same at all positions within the cargo area of your vehicle, please measure a few different internal height locations and record the shortest distance between the roof and the floor

**B** Locate the "RolaCase Post Height Reference Guide" on the last page of this manual. Look up your vehicle Make & Model and make a note of the height we recommended for you to cut down all the bay posts provided in your kit. Note that in most cases the height we recommended for any given Make & Model is usually around 3" less than the shortest internal height you measured in the previous steps. **Please note: You can use the Universal Cant Rail Anchors to secure your vehicle. However, if you are using our Post Height Reference Guide you will need our vehicle specific anchors, meaning you will need to skip steps M to T on this manual and refer to our vehicle specific anchors instructions instead**

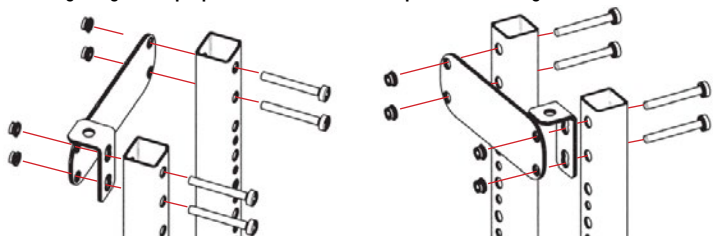
**C** Locate the Starter Frame Kit and Extender Kits and place all the contents on a suitable workbench. If you configured or selected several shelving bays as part of your final design, you should have one Starter Frame Kit and either one or two Extender Frame Kits to complete one side of the vehicle. In this guide we will be completing three continuous shelving bays as an example, **please note that some vehicles can have more or less depending on their cargo area**

**D** A row of three shelving bays will require eight posts in total, four of the posts can be found in a Starter Kit and two more posts can be found in every additional Extender Kit added to the build. With reference to the packaging on the outside of every Post Kit provided, cut down the top of all the posts to the height that is recommended in our vehicle reference guide using either a drop saw, hack saw, or angle grinder. **Note: that the posts must only be cut shorter through the bottom of the small holes that perforate the side. Make sure that you do not cut the posts down from the wrong (bottom) end as this will render the post unusable**

**E** Locate the four HD feet supplied in this kit example and begin the assembly by securing them to the bottom of the eight posts by grouping them in pairs. Each HD foot bolts to the base of two posts with the hardware provided. You should end up with four pairs of posts once completed. Refer to image below:



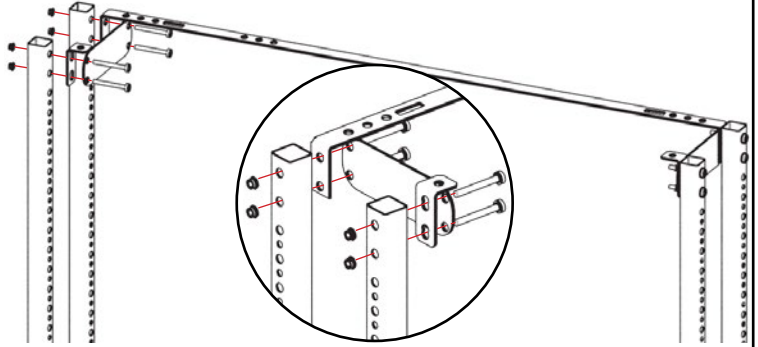
**F** Locate two HD Top Brackets and two small HD Right Angle brackets supplied in this kit example and assemble to the top of the four pairs of posts using the hardware provided. At this point you do not need to tighten the bolts & nuts, they should only be left "finger tight" in preparation for the next step. Refer to image below:



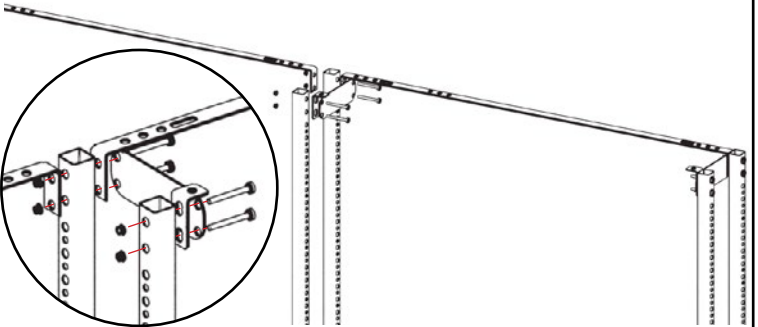
**⚠ ATTENTION**

IMAGES USED IN THIS GUIDE MAY VARY SLIGHTLY DEPENDING ON YOUR MODEL

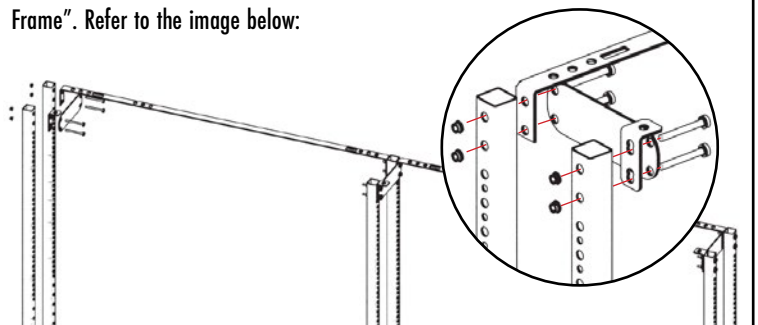
**A** Begin by determining the internal height of the location within your commercial vehicle where you intend to secure our shelving bays



**H** Locate one of the HD Upper Angle Bars supplied in the Extender Kit and introduce it to the top of the loosely assembled Starter bay completed in the previous step. Note that this Extender HD Upper Angle Bar must be secured to the correct side of the Starter Bay so that the final intended configuration can be achieved. Refer to images below:



**I** Locate the second HD Upper Angle Bar supplied in the second Extender Kit and introduce it to the top of the loosely assembled bays completed in the previous steps. Note that this Extender HD Upper Angle Bar must also be secured to the correct side of the bays so that the final intended configuration is achieved. If you have more than one shelving bay, this is where you will be joining a "Starter Frame" to an "Extender Frame". Refer to the image below:



**J** At this point you should have three shelving bays secured together outside of the vehicle. Double check that all parts are in the correct location and cross reference against the assembly images provided. Once you are satisfied that every part is in the correct location, proceed to tighten all the nuts and bolts that were left finger tight in the previous steps. The end result should produce three frame bays fully assembled together. Refer to next images:

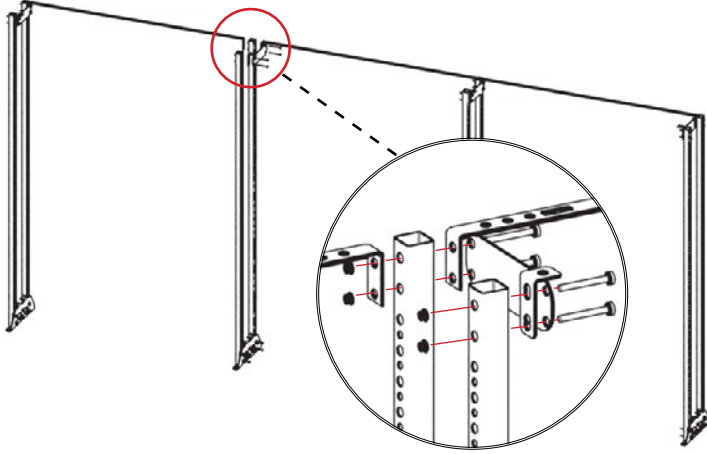




**⚠ ATTENTION: PLEASE READ ALL INSTRUCTIONS BEFORE ASSEMBLING/INSTALLING THIS PRODUCT**

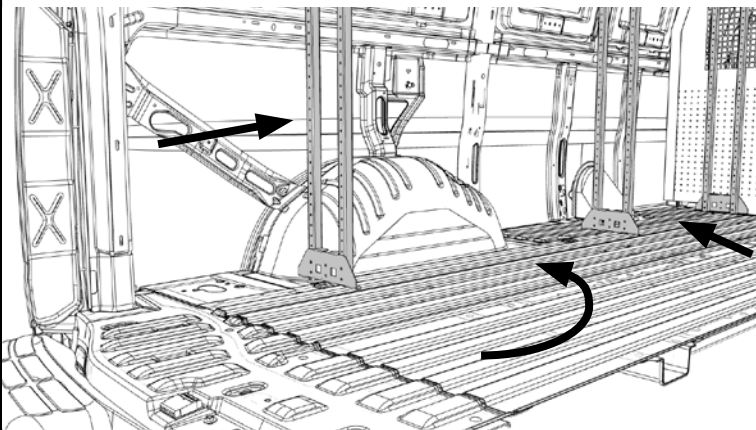
**⚠ WARNING**

ANY ALTERATIONS, UNINTENDED OR UNAPPROVED WORK/USE OF THIS PRODUCT COULD CREATE A HAZARDOUS CONDITION THAT CAN CAUSE DEATH, PERSONAL INJURY OR PROPERTY DAMAGE.



**NOTE:** Our shelving bays can be secured to the inside of a vehicle via two different methods, you must decide if you wish to secure the shelving bays using the "Universal Cant Rail Anchors" supplied by default as part of a Starter & Extender Frame Kit or if you wish to secure the shelving bay using our "Vehicle Specific Roof Anchors" that makes the process a lot easier and results in a much quicker installation (Vehicle Specific Roof Anchors sold separately). **⚠ If you choose to use the Vehicle Specific Anchors, please follow the instructions included in that product from this point onwards. If you decide to use the Universal Anchors, please read on to the following steps**

**K** Now you are ready to introduce the assembled frame bays into the vehicle, we recommend that you use the assistance of one or two extra people to carefully complete this process. Refer to the image below:



**L** Now that the assembled bays are in the cargo area of the vehicle, carefully move the unit into a desired position or and check that this position does not or will not interfere with any other vehicle systems or the standard operation of the vehicle. The next steps will explain the assembly of the Universal Anchors and how to attach them from the body of the vehicle to the HD Upper Angle Bar.

**⚠ ATTENTION**

IMAGES USED IN THIS GUIDE MAY VARY SLIGHTLY DEPENDING ON YOUR MODEL

**UNIVERSAL CANT RAIL ANCHORS INSTRUCTIONS**

**M** Locate the following four parts that were included in your kit in preparation for the anchor assembly:

- "HD" CANT RAIL (inner roof) TONGUE HINGE
- "HD" CANT RAIL (inner roof) "P2" HINGE BRACKET
- "HD" CANT RAIL (inner roof) EXTENSION BRACKET
- BEHIND CANT RAIL (inner roof) FINGER BRACKET
- RSRB/CR2 BRACKET



'HD' CANT RAIL TONGUE HINGE



'HD' CANT RAIL 'P2' HINGE BRACKET



'HD' CANT RAIL EXTENSION BRACKET

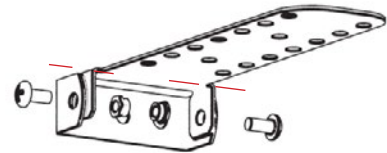


RSRB/CR2

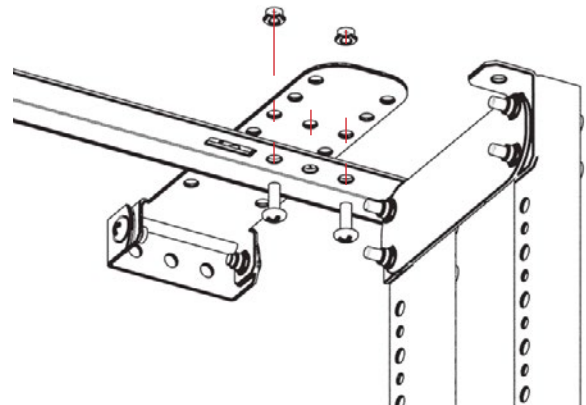


BEHIND CANT RAIL 'FINGER' BRACKET

**N** Begin by assembling the tongue hinge to the "P2" hinge bracket using two Nyloc nuts and two 1/4" x 1/2" Pan Phillips Bolts provided in the kits. At this stage, this is to be left finger tight only. Repeat this process for all the tongue hinges supplied, in this example we are assembling three bays therefore you should have **four hinges** to assemble. Refer to image below:



**O** The Upper Angle Bar has a series of three perforated holes on the top that are there specifically to connect to the Universal Cant Rail Anchor. The 12-Series Angle Bar has five optional points to connect to, and the 8-Series Angle Bar has four optional points of connection. Using the Hinge Tongues assembled in the previous step, locate four evenly spread out locations across the top of the three shelving bay upper angle bars. Temporarily affix the tongues to the upper angle bars using two 1/4" x 5/8" bolts & nyloc nuts per tongue, do not tighten at this stage they are to be done loosely or finger tight. Refer to image below:





**⚠ ATTENTION: PLEASE READ ALL INSTRUCTIONS BEFORE ASSEMBLING/INSTALLING THIS PRODUCT**

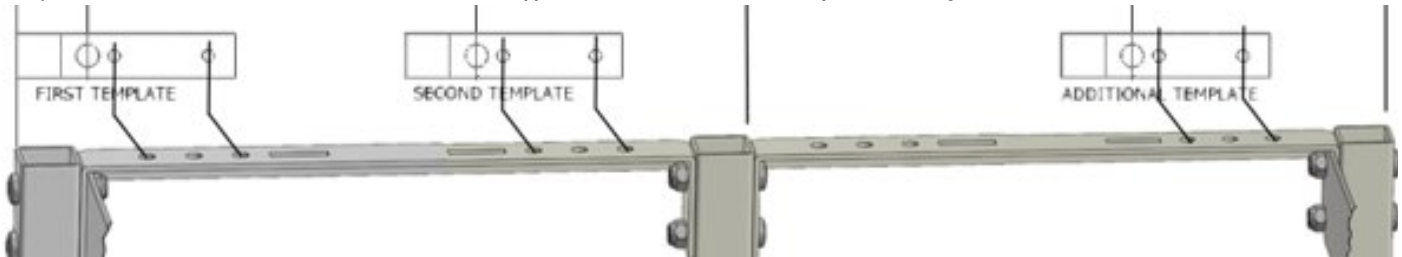
**⚠ WARNING**

ANY ALTERATIONS, UNINTENDED OR UNAPPROVED WORK/USE OF THIS PRODUCT COULD CREATE A HAZARDOUS CONDITION THAT CAN CAUSE DEATH, PERSONAL INJURY OR PROPERTY DAMAGE.

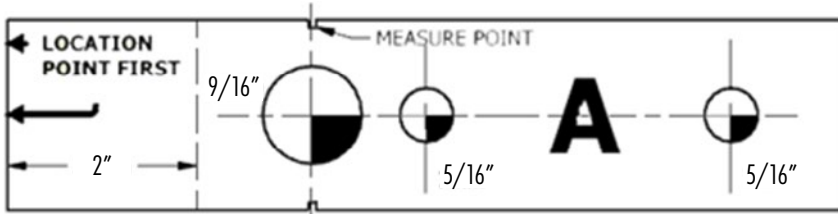
**⚠ ATTENTION**

IMAGES USED IN THIS GUIDE MAY VARY SLIGHTLY DEPENDING ON YOUR MODEL

**P** You should now have a clear understanding where the final positioning of the bays will most likely be. Using a marker, mark out the two holes where the "HD" CANT RAIL (inner roof) "P2" HINGE BRACKET meets a suitable location on the upper inner frame of the vehicle body. Refer to image below:

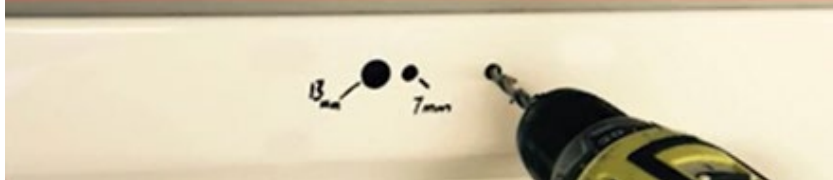


**Q** Now that you have marked two holes per tongue on the upper frame body of the vehicle, move the frame bays out of the way in preparation to carefully drill some holes as per the following template:



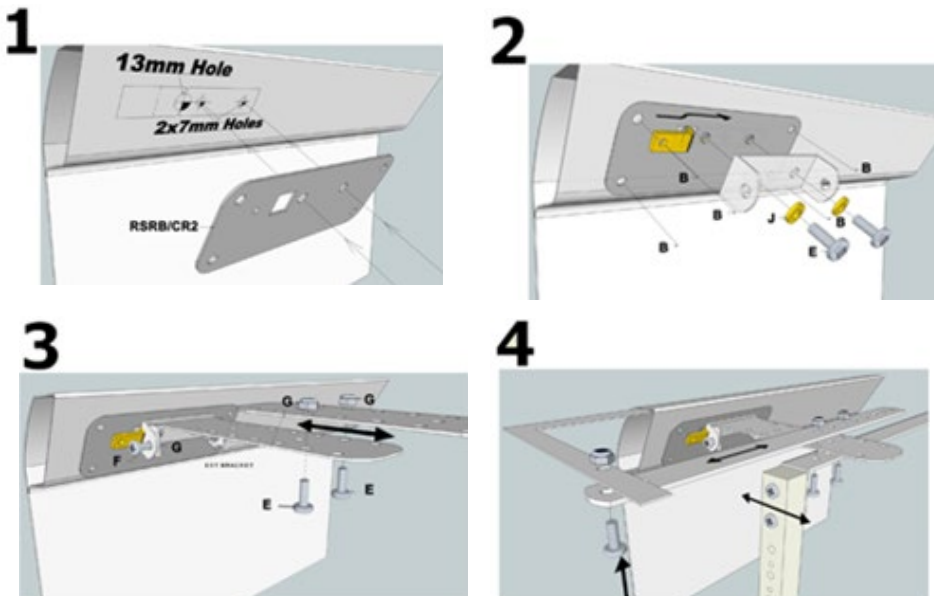
**Please note:** the 7mm hole is a 5/16" hole, and the 13mm hole is a 9/16" hole please check scale before using this template

**FITTING THE UNIVERSAL ANCHOR KIT**



Sample of installed frames

**R** Assemble the remaining components that remain for the Universal Cant Rail Anchor by using the hardware provided. Refer to images below:





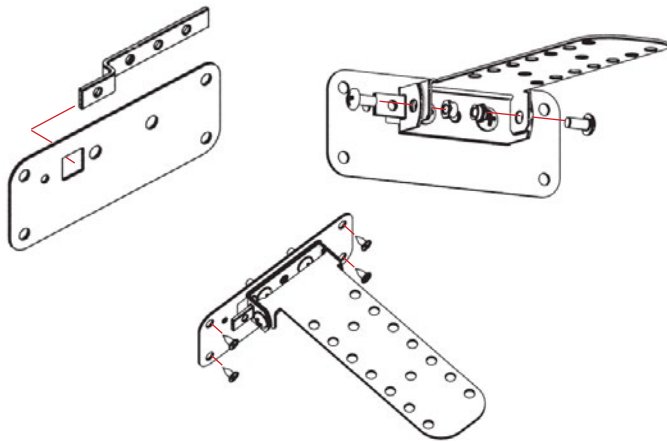
**⚠ ATTENTION: PLEASE READ ALL INSTRUCTIONS BEFORE ASSEMBLING/INSTALLING THIS PRODUCT**

**⚠ WARNING**

ANY ALTERATIONS, UNINTENDED OR UNAPPROVED WORK/USE OF THIS PRODUCT COULD CREATE A HAZARDOUS CONDITION THAT CAN CAUSE DEATH, PERSONAL INJURY OR PROPERTY DAMAGE.

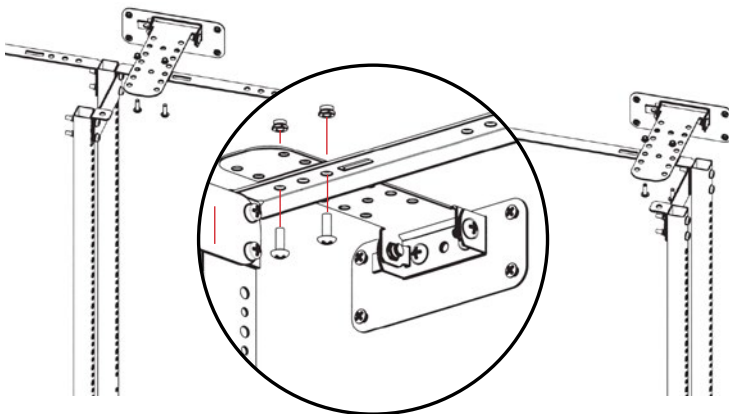
**⚠ ATTENTION**

IMAGES USED IN THIS GUIDE MAY VARY SLIGHTLY DEPENDING ON YOUR MODEL



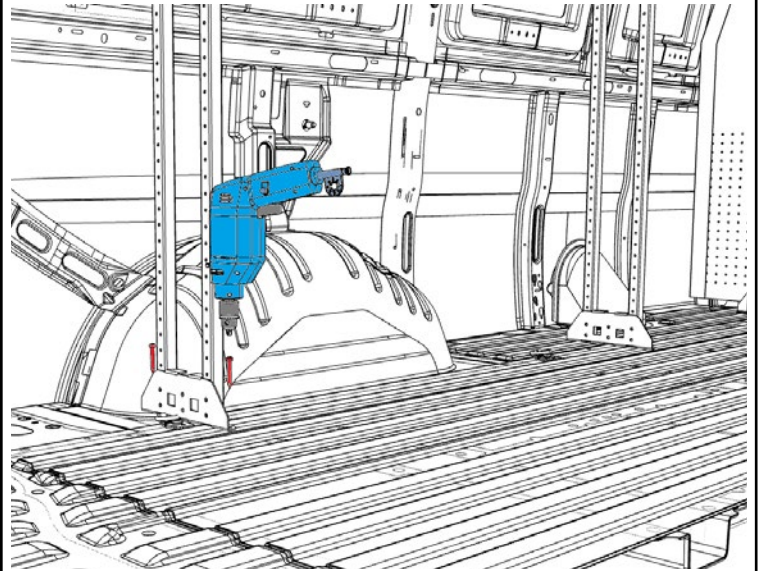
**Please note:** It is acceptable for these Universal Cant Rail brackets to be affixed upside down for certain application.

**S** Attach the Universal Cant Rail Anchor to the Upper Angle Bar by using the hardware provided. In this example we would have four points of attachment. All nuts & bolts that were left finger tight now have to be checked and tightened. Refer to images below:

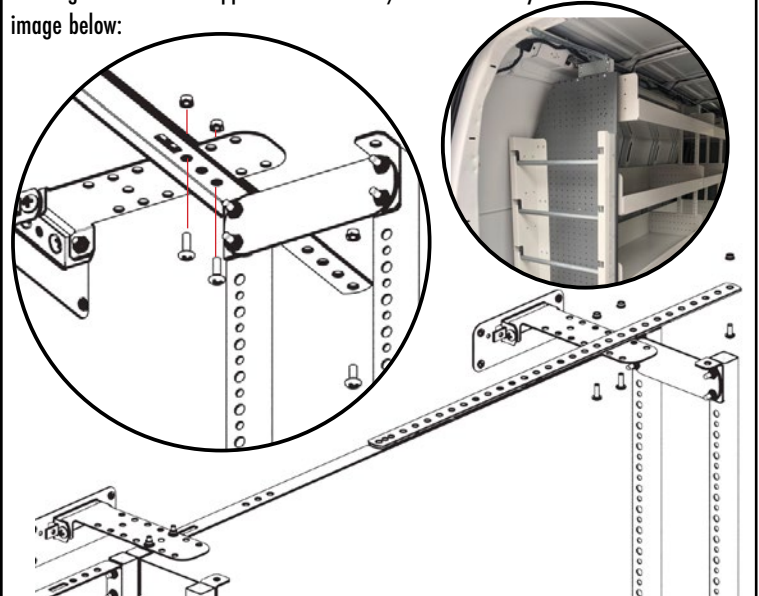


**T** Now that the top of the frame bays are secured properly to the inner body of the vehicle, we now have to secure the HD feet to the floor of the vehicle. Before we drill any holes through the floor there a few things that must be checked. Firstly, we need to ensure that the shelving bays are "square" and perpendicular to the floor. The gap between each post at the top must match the gap between each post at the bottom, and the posts need to be in line and at 90 degrees perpendicular to the floor. Use a measuring tape to find the correct position of the HD feet, if you have access to a "carpenters set square ruler" this positioning can be found efficiently. (Tip: you can momentarily install a shelf inside the frame to ensure correct fitment)

**U** Using a marker, mark out two of the outer holes at the bottom of every HD feet. You will be drilling through these holes shortly, but before you proceed, you must get under the vehicle and double check that the proposed holes to drill will not cause any issues. Do not drill any holes on the floor near wiring harnesses, brake lines, fuel lines, spare tyres or any other areas that may cause damage to other parts of the vehicle. When you are satisfied that it is safe to drill, you have the option of securing the HD feet to the floor with the use of the self-tapping supplied or a pair of rivet nuts per HD foot (not supplied)



**V** At this stage you should now have a set of three shelving bays, secured firm, square & correctly to the interior of your vehicle. The final step is to install an Inertia Bracket that will ensure that there is no possibility for movement of the shelving bays during acceleration and deceleration that occurs in everyday driving. Locate the Inertia Bracket supplied and find a suitable location at the rear of the vehicle where you can secure it to the rear structure. This inertia bracket can be cut to size if required. The strap needs to be secured to the shelving by being doubled up on top of the Upper Angle Bar where it is secured to the Cant Rail Bracket. At the other end of the strap you have the option of using two short self-tappers or one 1/4" x 5/8" bolt and a Nyloc nut. Refer to the image below:

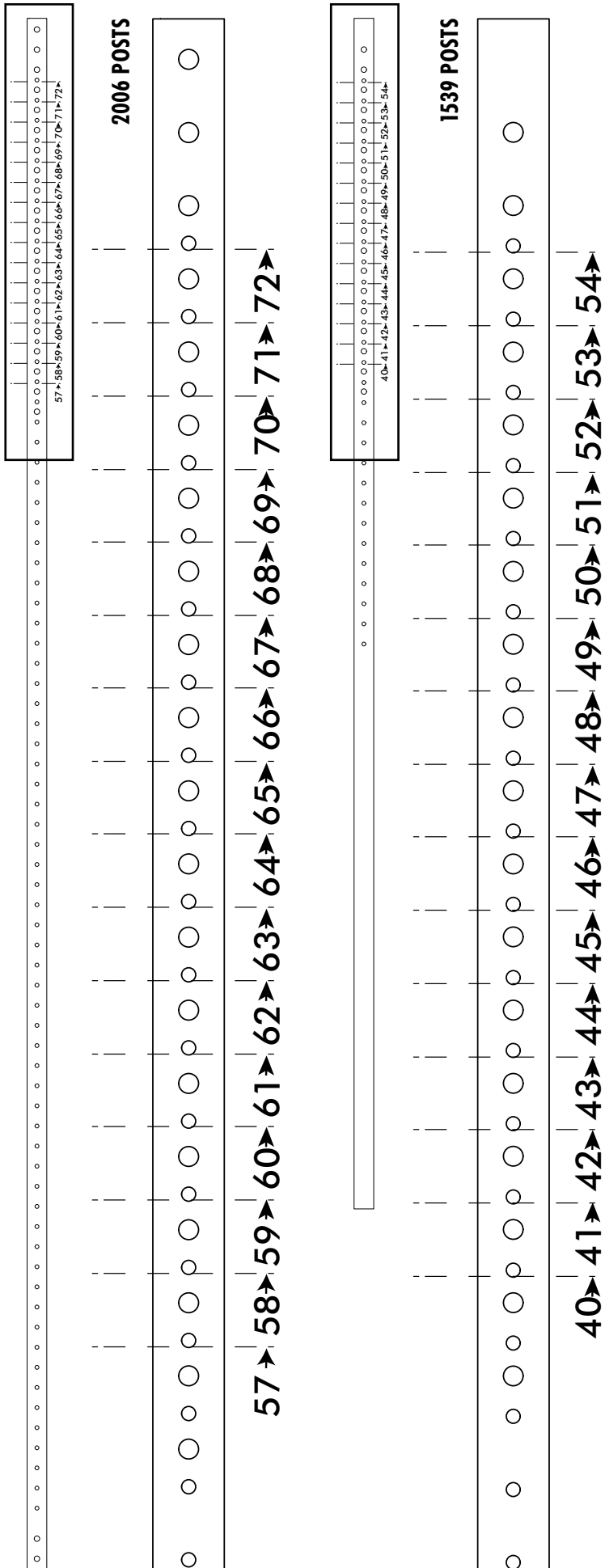


This concludes the multiple shelving bay installation process, please go through and double check that all the nuts and bolts are tight. **If you need further clarity and prefer to watch a video of the process, please see the link below:**

on [RolaCase YouTube Channel](#) or [RolaCase support page on our website](#)

For further details please go to [www.rolacase.com](http://www.rolacase.com)

# ROLACASE POST HEIGHT REFERENCE GUIDE



These instructions are to be used in conjunction with our vehicle specific roof anchors only (sold separately)

- 1** Check which posts matches your vehicle and ensure you have the correct posts for your vehicle model
- 2** See which number matches your vehicle
- 3** On the back of the package box (where you received your posts) you will find a guide to scale, you can use this guide to cut at the desired number

Vehicle	Product Code that suits your vehicle	Cut at Number	Actual Height
Chevy Express 135"/155"WB	RSSF/HD/80/1539 RSEFR/HD/80/1539 RSSFR/HD/120/1539 RSEFR/HD/120/1539	<b>46</b>	49.1"
Ford Transit Low Roof 130"/148" WB	RSSF/HD/80/1539 RSEFR/HD/80/1539 RSSFR/HD/120/1539 RSEFR/HD/120/1539	<b>47</b>	50.1"
Ford Transit Mid Roof 130"/148" WB	RSSF/HD/80/2006 RSEFR/HD/80/2006 RSSFR/HD/120/2006 RSEFR/HD/120/2006	<b>63</b>	66.5"
Ford Transit High Roof 148" WB	RSSF/HD/80/2006 RSEFR/HD/80/2006 RSSFR/HD/120/2006 RSEFR/HD/120/2006	<b>71</b>	74.7"
Ram ProMaster Standard Roof 118"/136"WB	RSSF/HD/80/2006 RSEFR/HD/80/2006 RSSFR/HD/120/2006 RSEFR/HD/120/2006	<b>58</b>	61.4"
Ram ProMaster High Roof 136"/159" WB	RSSF/HD/80/2006 RSEFR/HD/80/2006 RSSFR/HD/120/2006 RSEFR/HD/120/2006	<b>68</b>	71.6"

**Please note:** This height guide is designed to go on the bare floor of the vehicle. However these heights will still work with an added floor of up to 3/4" thick

For more information please check our YouTube Channel RolaCase or go to our support page on our website at [www.rolacase.com](http://www.rolacase.com)