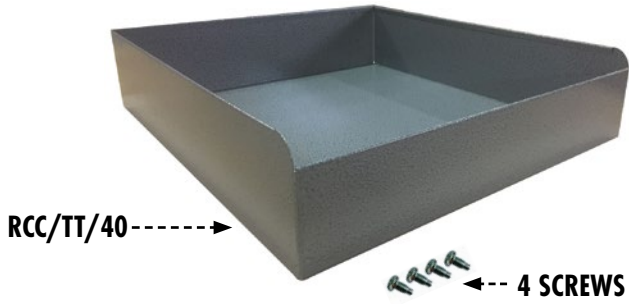




⚠ ATTENTION: PLEASE READ ALL INSTRUCTIONS BEFORE ASSEMBLING/INSTALLING THIS PRODUCT

INCLUSIONS:



⚠ WARNING

ANY ALTERATIONS, UNINTENDED OR UNAPPROVED WORK/USE OF THIS PRODUCT COULD CREATE A HAZARDOUS CONDITION THAT CAN CAUSE DEATH, PERSONAL INJURY OR PROPERTY DAMAGE.

BEFORE YOU BEGIN:

- THE AVERAGE EXPECTED INSTALL TIME FOR THIS PRODUCT IS **5 MINUTES**
- READ ALL THE INSTRUCTIONS BEFORE ASSEMBLY & INSTALLATION
- ALWAYS WEAR APPROPRIATE PERSONAL PROTECTIVE EQUIPMENT, ESPECIALLY EYEWEAR WHEN INSTALLING OUR PRODUCTS
- CONFIRM YOU HAVE ALL THE NECESSARY PARTS, TOOLS, EQUIPMENT, & TIME REQUIRED BEFORE COMMENCING

PART No. RCC/TT/40 - suits all 4 Series Metal Drawers/Cabinets

Can be installed on the following products:

- All "4 series" metal cabinets (Width: 16.5" / Depth: 18.1")

TOOLS REQUIRED:

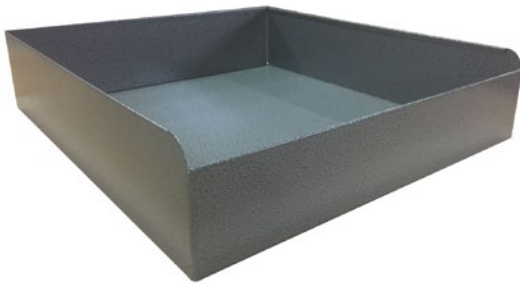


⚠ ATTENTION

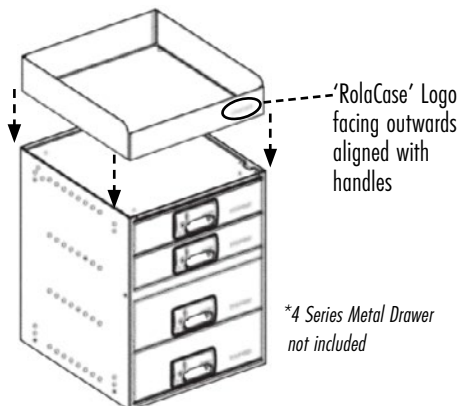
IMAGES USED IN THIS GUIDE MAY VARY SLIGHTLY DEPENDING ON YOUR MODEL

The RolaCase Cabinet Top Tray that suits the "4 series" metal cabinets is made up of the following part that needs to be located and affixed with the hardware provided:

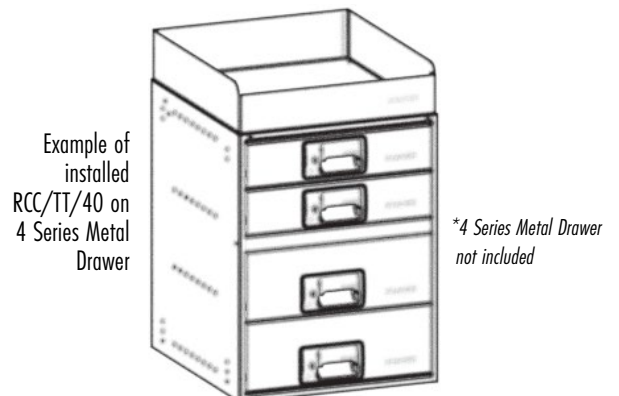
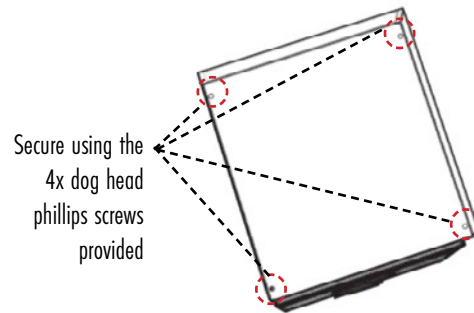
1 Metal Top Tray



A Begin by locating the Metal Top Tray and placing it on the top of the "4 series" metal cabinet. Make sure embossed "RolaCase" logo is facing forwards (aligned with the front handles)



B Secure the Top Tray to the metal cabinet using the 4x dog head phillips screws supplied, this can be done manually with a Philips screwdriver however it is much easier using a cordless drill with a P3 bit on a low torque setting to ensure you do not strip the thread



For further details please go to www.rolacase.com