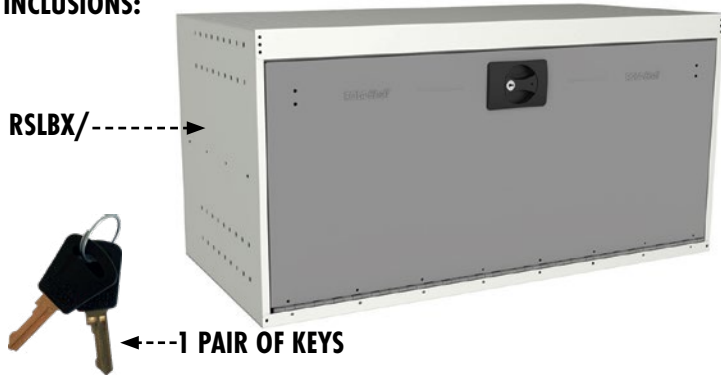




⚠ ATTENTION: PLEASE READ ALL INSTRUCTIONS BEFORE ASSEMBLING/INSTALLING THIS PRODUCT

INCLUSIONS:



⚠ WARNING

ANY ALTERATIONS, UNINTENDED OR UNAPPROVED WORK/USE OF THIS PRODUCT COULD CREATE A HAZARDOUS CONDITION THAT CAN CAUSE DEATH, PERSONAL INJURY OR PROPERTY DAMAGE.

BEFORE YOU BEGIN:

- THE AVERAGE EXPECTED INSTALL TIME FOR THIS PRODUCT IS **20 MINUTES**
- READ ALL THE INSTRUCTIONS BEFORE ASSEMBLY & INSTALLATION
- ALWAYS WEAR APPROPRIATE PERSONAL PROTECTIVE EQUIPMENT, ESPECIALLY EYEWEAR WHEN INSTALLING OUR PRODUCTS
- CONFIRM YOU HAVE ALL THE NECESSARY PARTS, TOOLS, EQUIPMENT, & TIME REQUIRED BEFORE COMMENCING

PART No. RSLBX/ shelving range to suit the following

- All "8-Series" shelving bays (8 Series Start Frame- RSSFR/HD/80/1539 or 2006 (8 Series Extension Frame- RSEFR/HD/80/1539 or 2006) **12-Series" shelving bays** (12 Series Start Frame- RSSFR/HD/120/1539 or 2006, 12 Series Extension Frame- RSEFR/HD/120/1539 or 2006) (sold separately), **this is where you will find screws to fit the shelves**

⚠ ATTENTION

All RolaShelf shelving products are to be used exclusively and in conjunction with RolaCase and RolaShelf shelving bays only. Failure to do so will cause the shelving/ products to perform in a nonfunctional manner and will void your warranty

TOOLS AND HARDWARE REQUIRED:



*included in our Start and Extension Frames

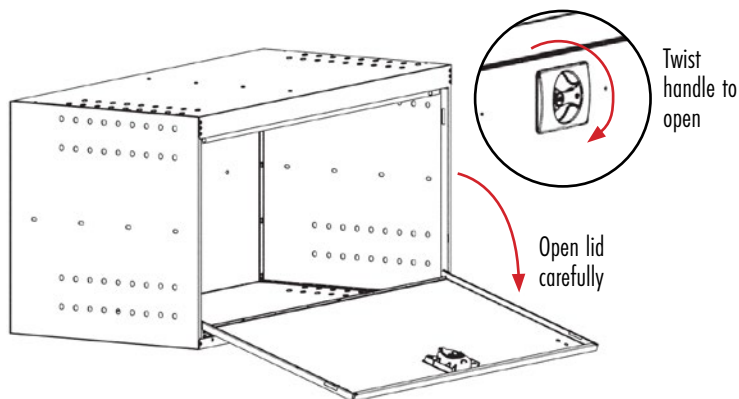
⚠ ATTENTION

IMAGES USED IN THIS GUIDE MAY VARY SLIGHTLY DEPENDING ON YOUR MODEL

The RolaCase Lockable Box - comes in 2 different sizes

- RSLBX/82 (fits inside an '8 Series' Bay - RSSFR/HD/80/1539 or 2006 and RSEFR/HD/80/1539 or 2006)
- RSLBX/122 (fits inside a '12 Series' Bay - RSSFR/HD/120/1539 or 2006 and RSEFR/HD/120/1539 or 2006), these bays will come with extra screws to secure your new lockable box.

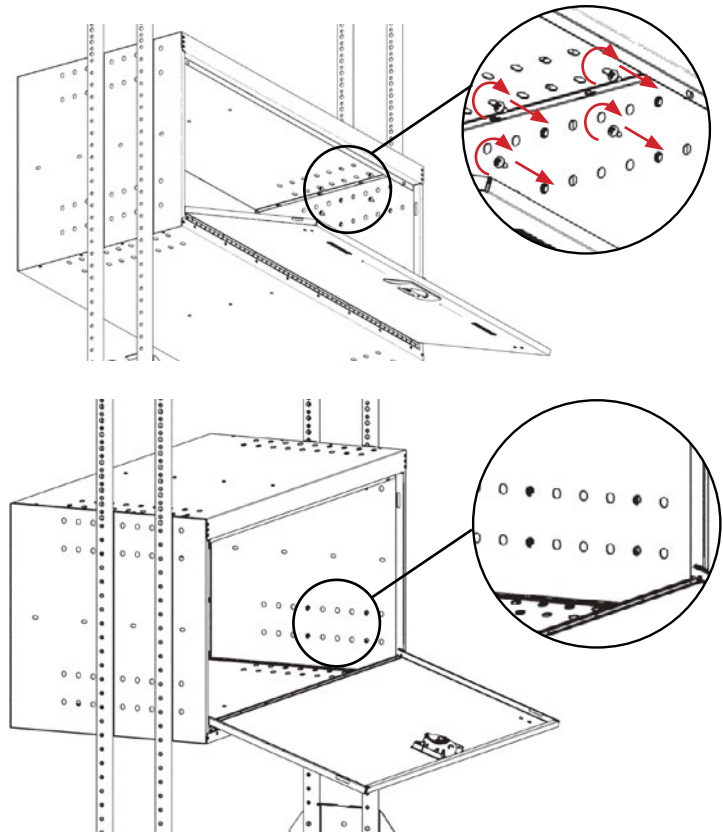
A Open your new lockable box to locate the holes inside, these holes will need to be aligned with our Start or Extension Frames (sold separately), **please note our frame needs to be installed in the vehicle prior**



B Trial position the lockable box in an ideal position anywhere on the perforated shelving frame whilst ensuring the grid pattern on the shelf ends marries up with the holes on the twin posts. Note that RolaCase's Lockable Box are very versatile within the shelving bays and can be secured in many different varying positions

C If you wish, you can use the disposable plastic plugs that come in our 'Starter' and 'Extension' frames (sold separately) to hold your box in place while deciding where to secure it

D Secure the lockable box to the frame posts using a "P3" Phillips Head screwdriver or a cordless drill with a low torque setting and the screws. Please ensure you do not over tighten these screws as it is unnecessary and it may also strip the thread. We recommend using at least 6 screws per side, refer to images below:



For further details please go to www.rolacase.com