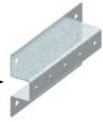


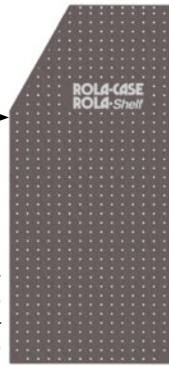
⚠ ATTENTION: PLEASE READ ALL INSTRUCTIONS BEFORE ASSEMBLING/INSTALLING THIS PRODUCT

INCLUSIONS:

1 RSPEP-TOP HAT



1 RSPEP/



2 PAN PHIL BOLTS



2 SELF TAPPING SCREWS



2 NYLOC NUTS



6 SCREWS



*Please note:
end panels come
in either a left or
right option*

⚠ WARNING

ANY ALTERATIONS, UNINTENDED OR UNAPPROVED WORK/USE OF THIS PRODUCT COULD CREATE A HAZARDOUS CONDITION THAT CAN CAUSE DEATH, PERSONAL INJURY OR PROPERTY DAMAGE.

BEFORE YOU BEGIN:

- THE AVERAGE EXPECTED INSTALL TIME FOR THIS PRODUCT IS 10 MINUTES
- READ ALL THE INSTRUCTIONS BEFORE ASSEMBLY & INSTALLATION
- ALWAYS WEAR APPROPRIATE PERSONAL PROTECTIVE EQUIPMENT, ESPECIALLY EYEWEAR WHEN INSTALLING OUR PRODUCTS
- CONFIRM YOU HAVE ALL THE NECESSARY PARTS, TOOLS, EQUIPMENT, & TIME REQUIRED BEFORE COMMENCING

PART No. RSPEP/ - comes in 2 options:

- RSPEP/R - Right Standard End Panel **Ideal for Standard Roof Vans*
- RSPEP/L - Left Standard End Panel

⚠ ATTENTION

All RolaCase/RolaShelf shelving products are to be used exclusively and in conjunction with RolaCase and RolaShelf shelving bays only. Failure to do so will cause the shelving/products to perform in a nonfunctional manner and will void your warranty

TOOLS REQUIRED:



Screw Drivers

Cordless Drill with Torque settings

⚠ ATTENTION

IMAGES USED IN THIS GUIDE MAY VARY SLIGHTLY DEPENDING ON YOUR MODEL

The RolaCase Standard End Panel comes in 2 different options:

RSPEP/L (LEFT END PANEL)

RSPEP/R (RIGHT END PANEL)



18.1"

40.15"

Ideal for Driver's side Rear



18.1"

Ideal for Passenger's side Rear

REFER TO NEXT PAGE FOR FURTHER INSTRUCTIONS



Left and Right Standard End Panels on a Chevy Express



Left and Right Standard End Panels on a Ford Transit

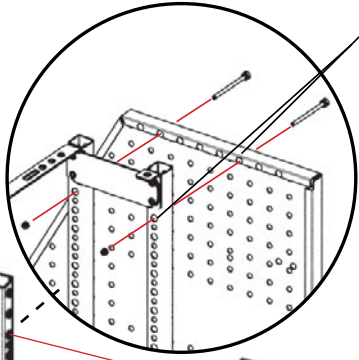


⚠ ATTENTION: PLEASE READ ALL INSTRUCTIONS BEFORE ASSEMBLING/INSTALLING THIS PRODUCT

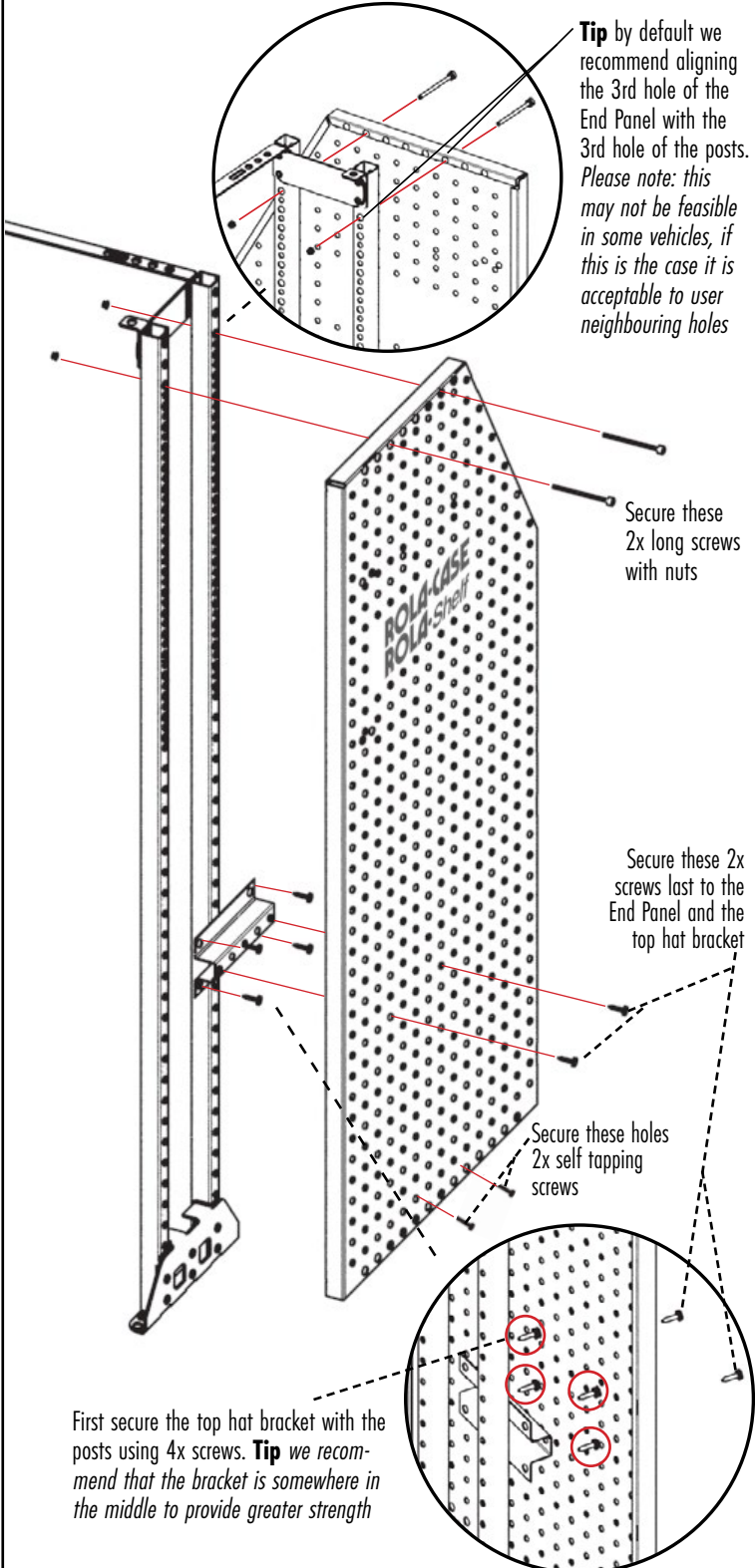
⚠ WARNING

ANY ALTERATIONS, UNINTENDED OR UNAPPROVED WORK/USE OF THIS PRODUCT COULD CREATE A HAZARDOUS CONDITION THAT CAN CAUSE DEATH, PERSONAL INJURY OR PROPERTY DAMAGE.

- A** Begin by making sure you have the right end panel to suit your vehicle and application
- B** Ensure your frames are installed and secured before proceeding
- C** Secure screws as illustrated on the next images

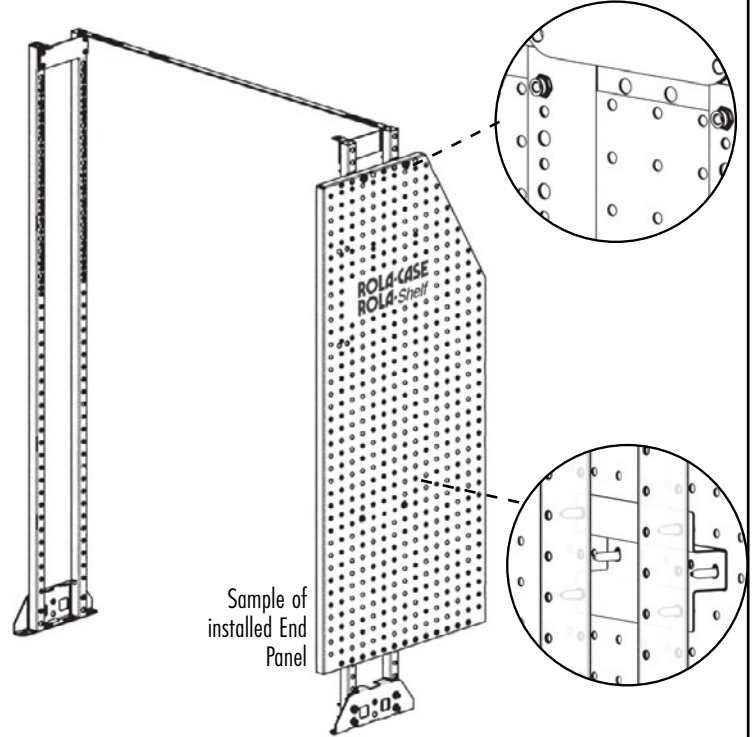


Tip by default we recommend aligning the 3rd hole of the End Panel with the 3rd hole of the posts. Please note: this may not be feasible in some vehicles, if this is the case it is acceptable to user neighbouring holes



⚠ ATTENTION

IMAGES USED IN THIS GUIDE MAY VARY SLIGHTLY DEPENDING ON YOUR MODEL



For further details please go to www.rolacase.com