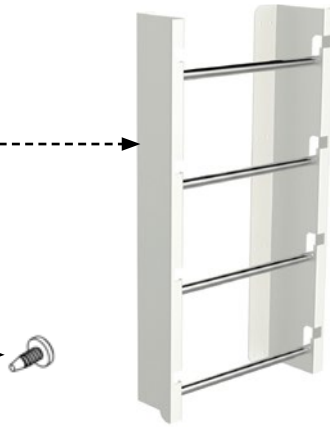


⚠ ATTENTION: PLEASE READ ALL INSTRUCTIONS BEFORE ASSEMBLING/INSTALLING THIS PRODUCT

INCLUSIONS:

RSPEP/CDH/4



16 SCREWS



⚠ WARNING

ANY ALTERATIONS, UNINTENDED OR UNAPPROVED WORK/USE OF THIS PRODUCT COULD CREATE A HAZARDOUS CONDITION THAT CAN CAUSE DEATH, PERSONAL INJURY OR PROPERTY DAMAGE.

BEFORE YOU BEGIN:

- THE AVERAGE EXPECTED INSTALL TIME FOR THIS PRODUCT IS 10 MINUTES
- READ ALL THE INSTRUCTIONS BEFORE ASSEMBLY & INSTALLATION
- ALWAYS WEAR APPROPRIATE PERSONAL PROTECTIVE EQUIPMENT, ESPECIALLY EYEWEAR WHEN INSTALLING OUR PRODUCTS
- CONFIRM YOU HAVE ALL THE NECESSARY PARTS, TOOLS, EQUIPMENT, & TIME REQUIRED BEFORE COMMENCING

PART No. RSPEP/CDH/4 to suit the following:

- All RolaCase Partitions/Bulkheads with a perforated grid lower section
- All RolaCase End Panels with a perforated grid section

⚠ ATTENTION

All RolaCase/RolaShelf products are to be used exclusively and in conjunction with other RolaCase and RolaShelf products. Failure to do so will cause the shelving/products to perform in a nonfunctional manner and will void your warranty

TOOLS AND HARDWARE REQUIRED:



Screw Drivers



Cordless Drill with Torque settings

⚠ ATTENTION

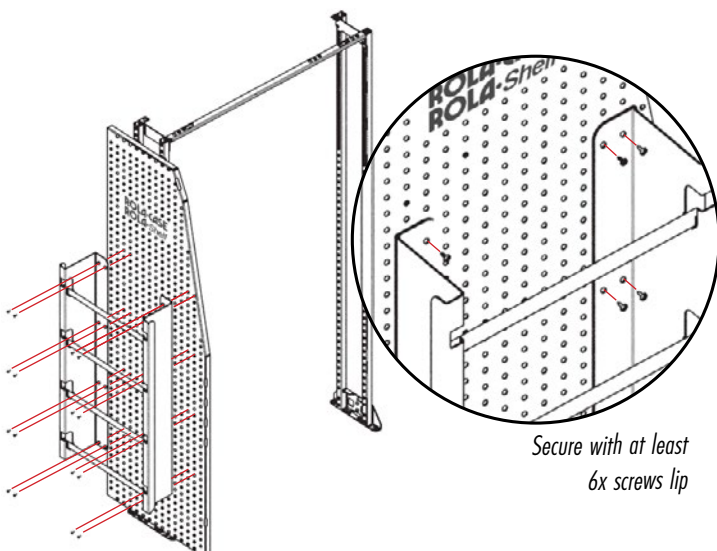
IMAGES USED IN THIS GUIDE MAY VARY SLIGHTLY DEPENDING ON YOUR MODEL

The RolaCase Four Bar Wire Spool Rack is designed to be affixed anywhere on selected RolaCase products that have our perforated grid pattern incorporated into the design. The two most common applications will be on our End Panels and on the lower section of our Partitions or Bulkheads

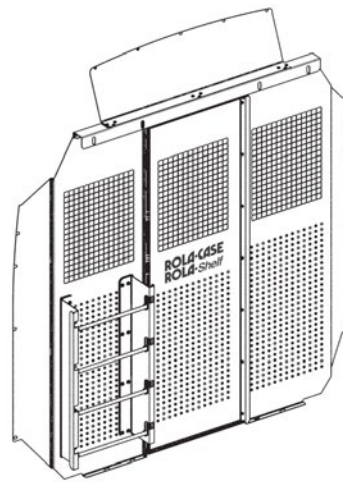
A Begin by locating the Wire Spool Rack and determining a suitable location where it can be affixed on our products containing a perforated grid pattern

B Position the Spool Rack to the matching grid perforated pattern and with the use of a cordless drill, affix using the Sheet Metal Screws that are supplied

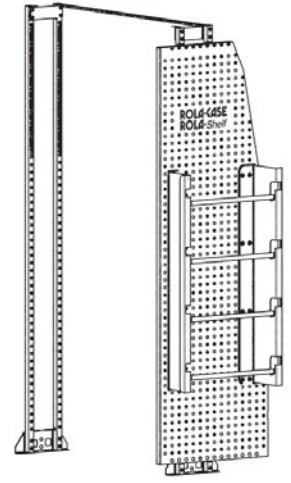
NOTE: This Wire Spool Rack can be adapted to most surfaces and applications if you simply drill your own holes. Our Wire Spool are designed for use on our perforated grid, any use on any other application is possible however not warranted by RolaCase.



Secure with at least 6x screws lip



Sample of RSPEP/CDH/4 on Ford Transit High Roof Partition



Sample of RSPEP/CDH/4 on a Mid Roof End Panel



For further details please go to www.rolacase.com