

⚠ ATTENTION: PLEASE READ ALL INSTRUCTIONS BEFORE ASSEMBLING/INSTALLING THIS PRODUCT

RSFLE INCLUSIONS:

2 PERFORATED WALLS

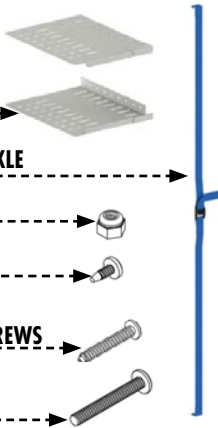
1 STRAP WITH BUCKLE

4 NYLOC NUTS

8 SCREWS

2 SELF TAPPING SCREWS

4 PAN PHIL BOLTS



RS120A INCLUSIONS:

1 RS120A



Please note: you must order 1x RSFLE plus or 1x RS120A to complete this kit

⚠ WARNING

ANY ALTERATIONS, UNINTENDED OR UNAPPROVED WORK/USE OF THIS PRODUCT COULD CREATE A HAZARDOUS CONDITION THAT CAN CAUSE DEATH, PERSONAL INJURY OR PROPERTY DAMAGE.

BEFORE YOU BEGIN:

- THE AVERAGE EXPECTED INSTALL TIME FOR THIS PRODUCT IS 20 MINUTES
- READ ALL THE INSTRUCTIONS BEFORE ASSEMBLY & INSTALLATION
- ALWAYS WEAR APPROPRIATE PERSONAL PROTECTIVE EQUIPMENT, ESPECIALLY EYEWEAR WHEN INSTALLING OUR PRODUCTS
- CONFIRM YOU HAVE ALL THE NECESSARY PARTS, TOOLS, EQUIPMENT, & TIME REQUIRED BEFORE COMMENCING

Complete Kit RSFLE + RS120A - comes in 2 separate parts:

- RSFLE - Walls and Fabric Strap
- RS120A - 12 Series Bar

⚠ ATTENTION

All RolaCase/RolaShelf shelving products are to be used exclusively and in conjunction with RolaCase and RolaShelf shelving bays only. Failure to do so will cause the shelving/products to perform in a nonfunctional manner and will void your warranty

TOOLS REQUIRED:



Screw Drivers



Cordless Drill with Torque settings



Ratchet, Sockets, & or Spanners

⚠ ATTENTION

IMAGES USED IN THIS GUIDE MAY VARY SLIGHTLY DEPENDING ON YOUR MODEL

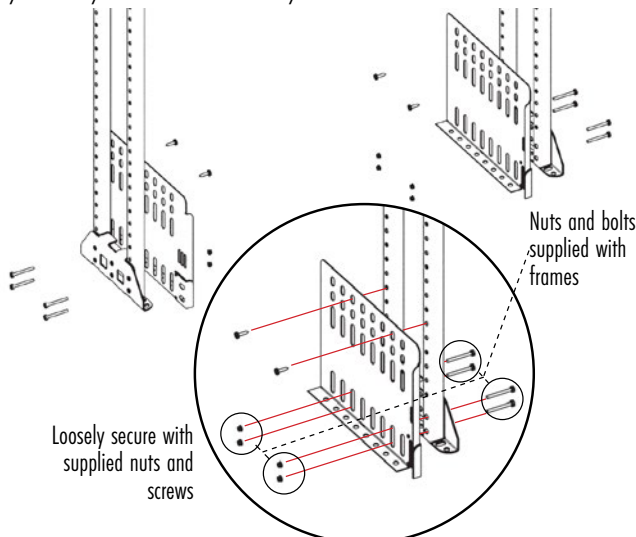
Please note: You must purchase 1x RSLFE + 1x RS120A to complete the kit

- **RSFLE + RS120A**
(fits in RSSFR/HD/120/1539 or 2006 or RSEFR/HD/120/1539 or 2006)

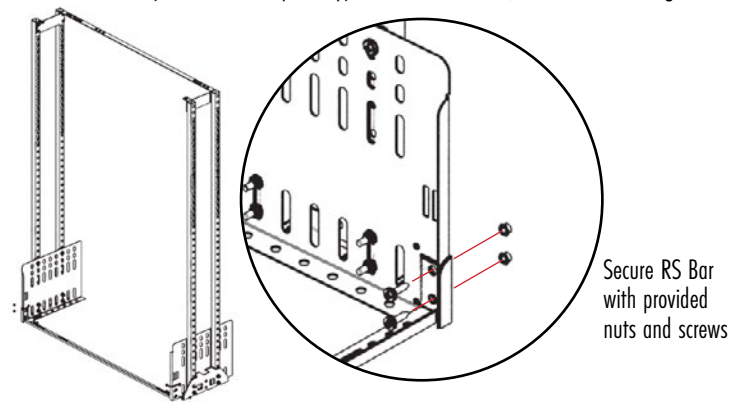


Note: Make sure you have the right bar to fit into your frame, failure to do so will result in incorrect fitment. Your RolaCase frame needs to be installed in your vehicle prior to installing the RolaCase Floor Enclosure

A Begin by securing your RSFLE walls into the bottom part of your posts, where the HD feet are of your frame, making sure that the holes align and it is only finger tight, refer to next image. **Please note:** you may need to remove some screws from the HD feet if you already have them installed in your vehicle floor

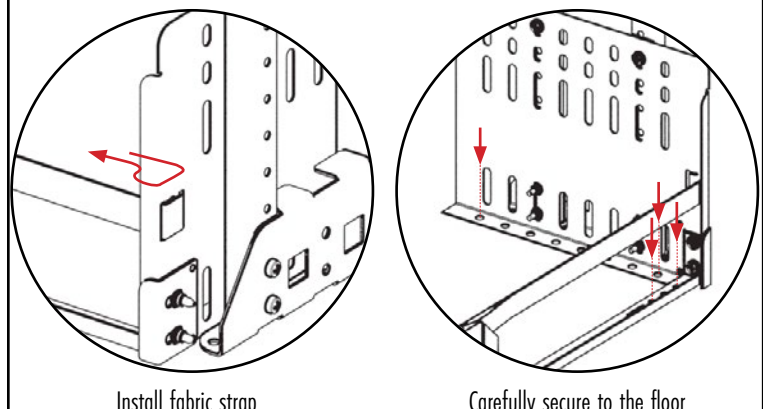


B After your RSFLE walls have been temporarily secured on the posts, it is time to secure the RS bar (which is sold separately) to the RSFLE walls, refer to next image



C We recommend screwing the floor enclosure down to a flush floor via some of the pre-drilled holes, be careful not to drill into crucial part of the vehicle that could affect/damage performance, refer to next images

D Install the fabric strap, make sure the mechanism will work appropriately, refer to next images:

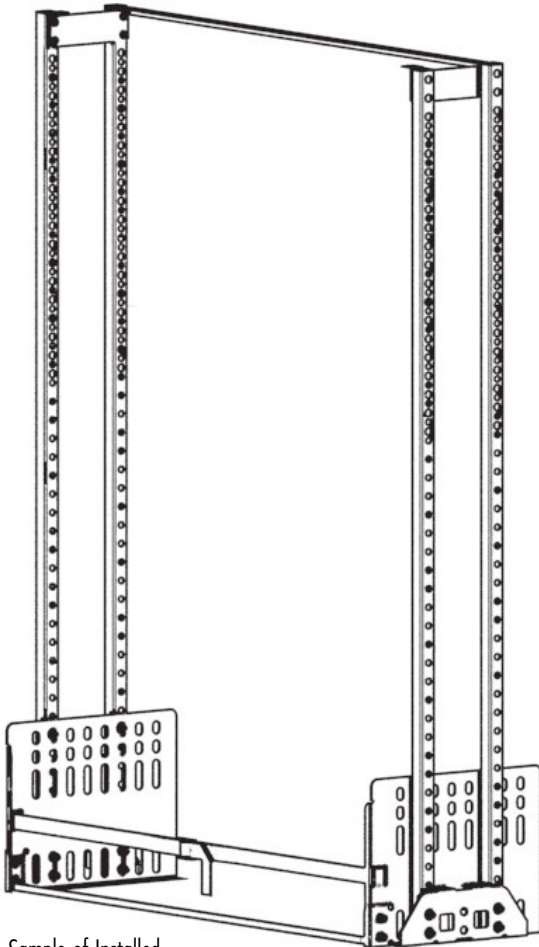
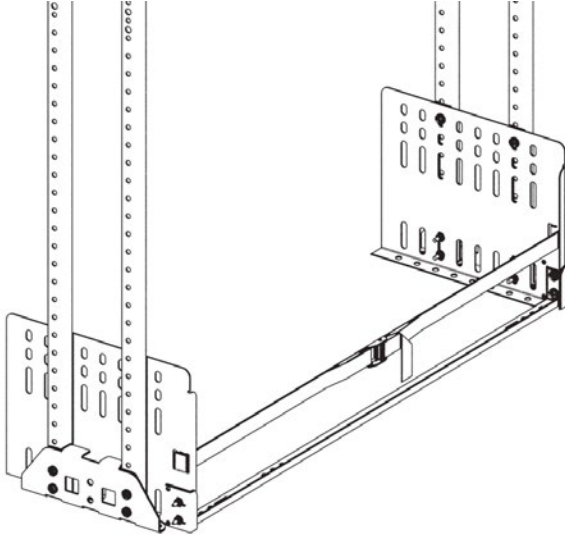


⚠ ATTENTION: PLEASE READ ALL INSTRUCTIONS BEFORE ASSEMBLING/INSTALLING THIS PRODUCT

⚠ WARNING

ANY ALTERATIONS, UNINTENDED OR UNAPPROVED WORK/USE OF THIS PRODUCT COULD CREATE A HAZARDOUS CONDITION THAT CAN CAUSE DEATH, PERSONAL INJURY OR PROPERTY DAMAGE.

E Tighten all loose screws, correct assembly should appear as next images:



Sample of Installed
 RSFLE + RS120A on
 a RolaCase Frame

⚠ ATTENTION

IMAGES USED IN THIS GUIDE MAY VARY SLIGHTLY DEPENDING ON YOUR MODEL



For further details please go
 to www.rolacase.com